

MWPS-72509

40-Ewe Lambing Shed

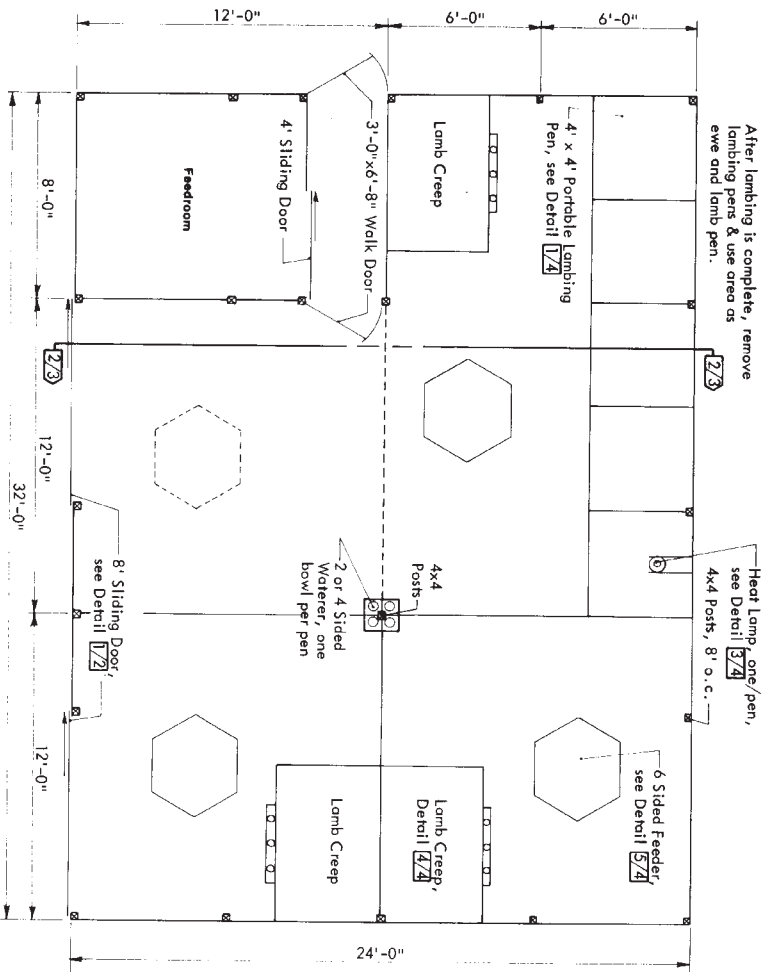
CAUTION!

Additional professional services will be required to tailor this plan to your situation, including but not limited to: assurance of compliance with codes and regulations; review of specifications for materials and equipment; supervision of site selection, bid letting and construction; and provision for utilities, waste management, roads or other access. **Furthermore, any deviation from the given specifications may result in structural failure, property damage, and personal injury including loss of life.**

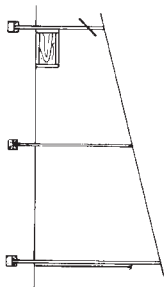
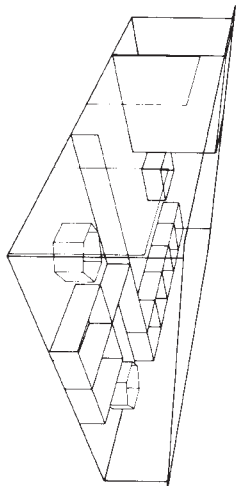
WARRANTY DISCLAIMER

This plan provides conceptual information only. **Neither midwest plan service nor any of the cooperating land-grant universities, or their respective agents or employees, have made, and do not hereby make, any representation, warranty or covenant with respect to the specifications in this plan.** Additional professional services will be required to tailor this plan to your situation, including but not limited to: assurance of compliance with codes and regulations; review of specifications for materials and equipment; supervision of site selection, bid letting and construction; and provision for utilities, waste management, roads or other access.

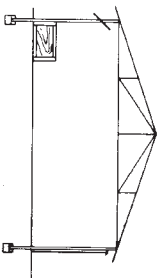
MIDWEST PLAN SERVICE
Cooperative Extension Work in Agriculture and Home Economics and Agricultural Experiment Stations of North Central Region - USDA Cooperating
40-Ewe Lambing Shed
Title Page
MIDWEST PLAN NO. 72509



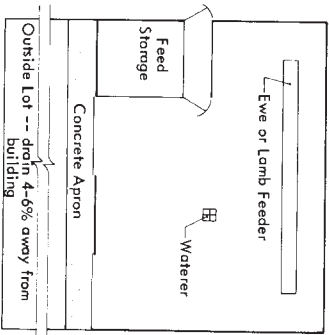
FLOOR PLAN—1/1



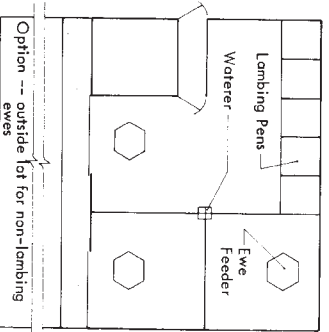
Shed Roof
see Detail 2a



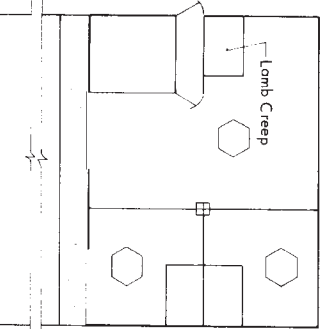
Alternate Gable Roof
see Detail 1b



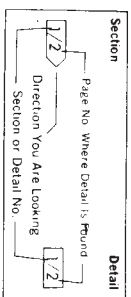
Before Lambing



During Lambing



After Lambing



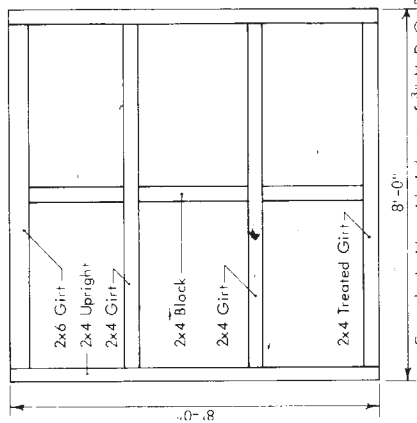
Section & Detail Indicator

MIDS MIDWEST PLAN SERVICE
 Cooperative Extension & Research in Agriculture
 & Home Economics in the 12 North Central
 Universities—USDA Cooperating

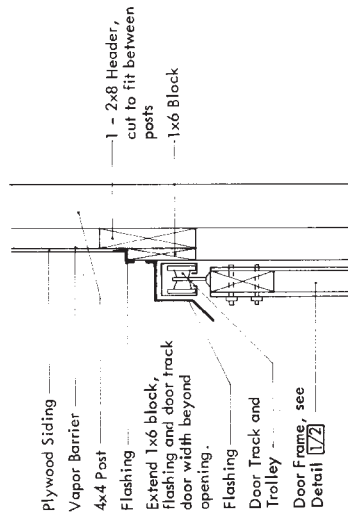
40-EWE LAMBING SHED

4 Pages Plus	Plan No.	Page
24 Truss Sheet	mmgs-72509	1 of 6

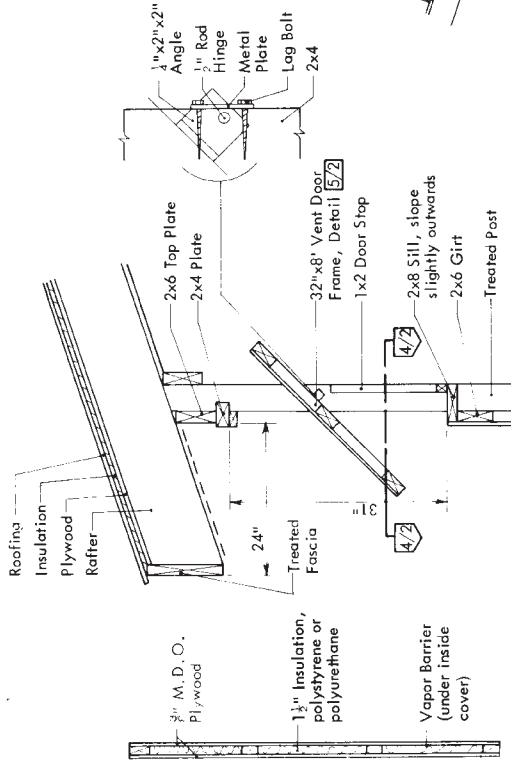
Copyright © 1979 Midwest Plan Service, Ames, IA 50011



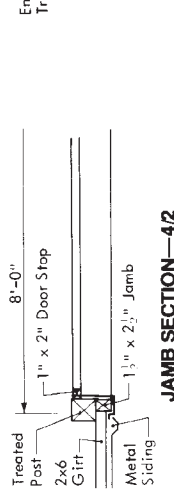
SLIDING DOOR DETAIL—1/2



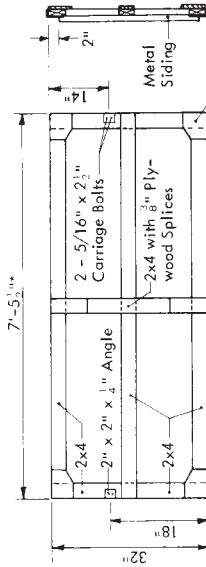
SLIDING DOOR HEADER DETAIL—2/2



VENT DOOR SECTION—3/2
Hold vent door open with a light metal chain from the top of the vent door frame to an eye hook in the sill.

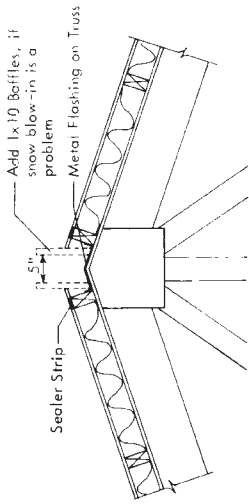


JAMB SECTION—4/2

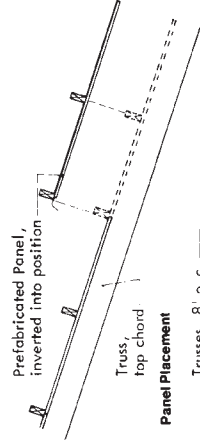


VENT DOOR FRAME—5/2
*Alter this dimension for other than 4" wide building posts or other than 8' o.c.

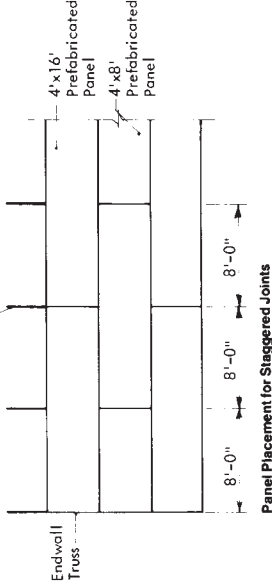
VENT DOOR FRAME—5/2



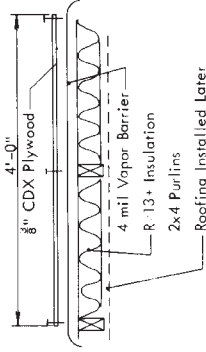
OPEN RIDGE VENT DETAIL—6/2



Panel Placement



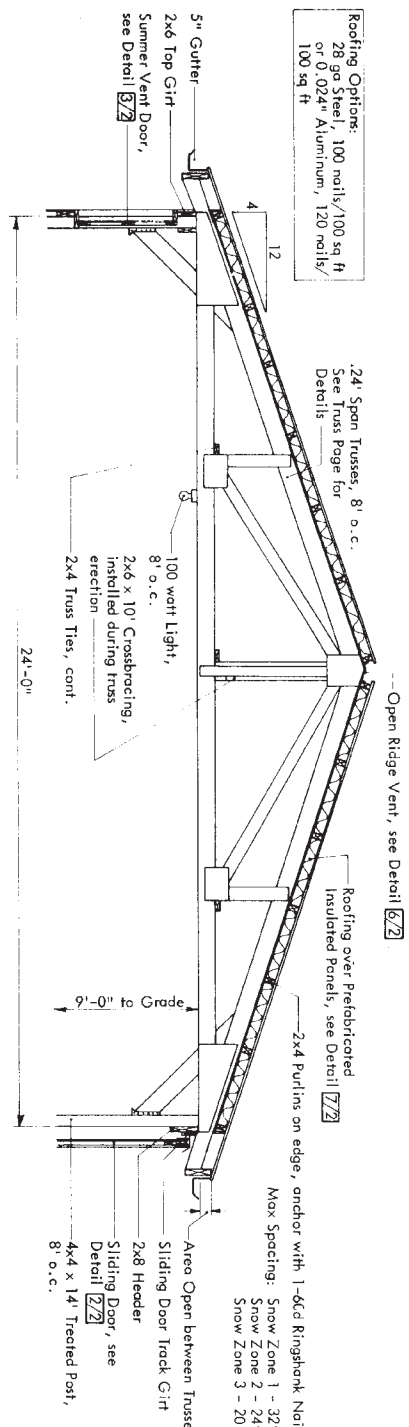
Panel Placement for Staggered Joints



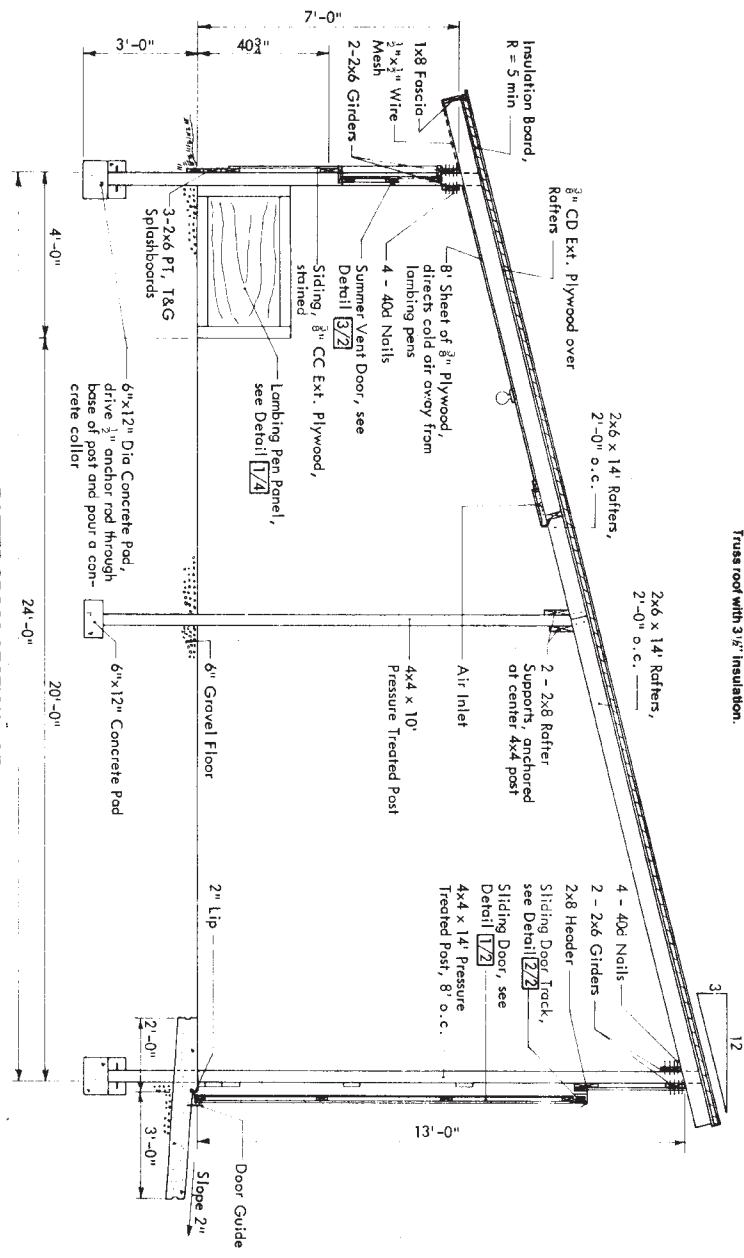
Insulated Roof Panels—7/2

Reduce heat gain in summer and heat loss in winter. Fabricate 4x8 and 4x16 panels upside down. Invert and install the panels, staggering the end joints.

Roofing Options:
 28 ga Steel, 100 nails/100 sq ft
 or 0.024" Aluminum, 120 nails/
 100 sq ft

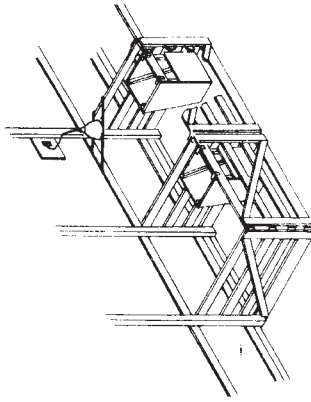


ALTERNATE ROOF DETAIL—1/3
 Truss roof with 3/8" insulation.

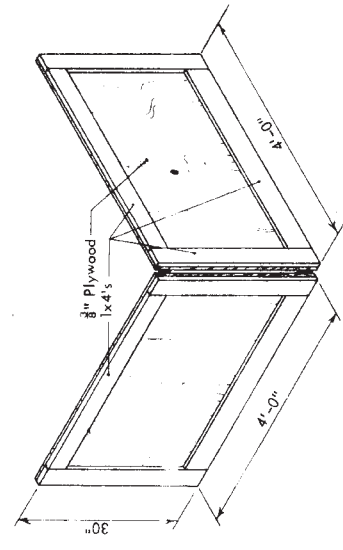


RAFTER CROSS SECTION—2/3

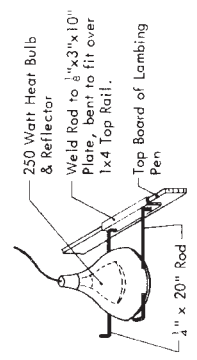
LUMBER SPECIFICATIONS
 Well Grade 2 Doug Fir or Southern Pine
 Rafters, Trusses, Headers, Top Girts
 No. 1 or 1500 F machine rated (Doug Fir or Southern Pine)
Posts and Splashboards
 Pressure Preservative Treated (Southern Pine or equiv) Creosote—10 pct.
 Penta—50 pct. ACA or CCA Type A or B—0.50 pct retention
 Plywood/Road Sheathing
 Use CC ext. underlaid
ALTERNATE LUMBER SPECIFICATIONS
 2x6 (Sloped 2' Riser/11")
 2x8 (Sloped 2' Riser/11")
 See Truss Page



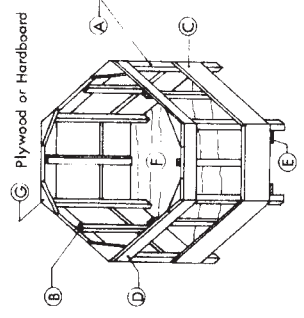
LAMBING PEN—1/4



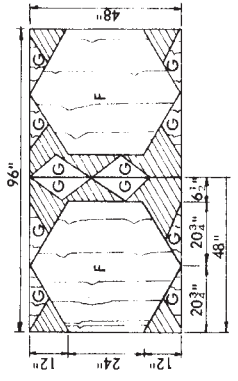
LAMBING PEN PANEL—2/4



BROODER LAMP SUPPORTS—3/4

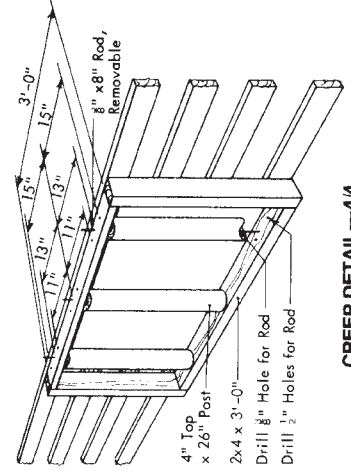


SIX SIDED FEEDBUNK DETAIL—5/4

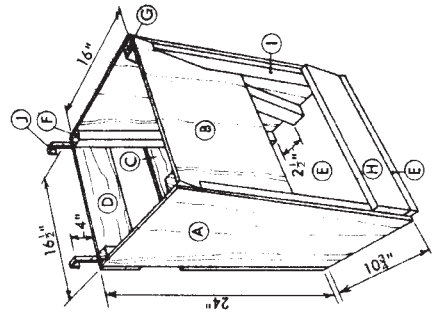


CUTTING LIST

Item	No.	Description
A	6	2x2 x 32"
B	6	1x2 x 27"
C	6	1x8 x 24"
D	6	1x4 x 24"
E	2	1x4 x 32 1/2"
F	1	2 - cut from 4'x8' plywood or hardboard
G	6	plywood or hardboard

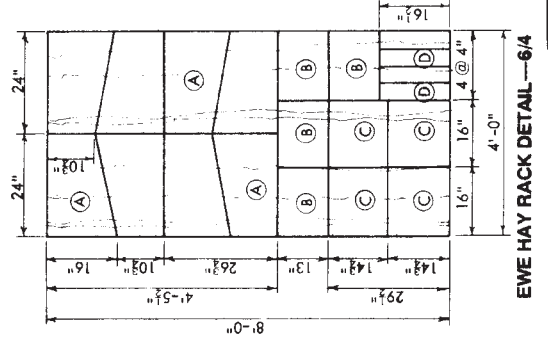


CREEP DETAIL—4/4



CUTTING LIST

Item	No.	Description
A-D		see plywood cutting diagram
E	1	1x12 x 16"
F	2	2x2 x 24"
G	2	2x2 x 26 1/2"
H	1	1x4 x 16"
I	2	1x2 x 24"
J	2	8" x 1" x 12" Strap



EWEE HAY RACK DETAIL—6/4