

MWPS-73220

48' Pole Grain Storage

CAUTION!

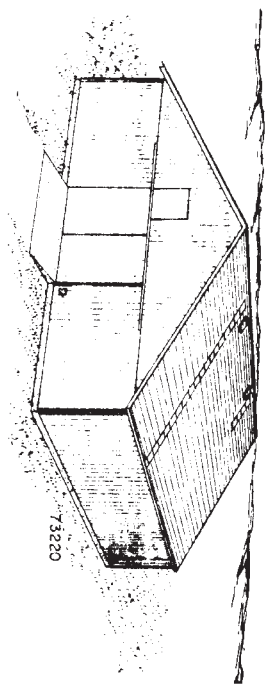
Additional professional services will be required to tailor this plan to your situation, including but not limited to: assurance of compliance with codes and regulations; review of specifications for materials and equipment; supervision of site selection, bid letting and construction; and provision for utilities, waste management, roads or other access. **Furthermore, any deviation from the given specifications may result in structural failure, property damage, and personal injury including loss of life.**

WARRANTY DISCLAIMER

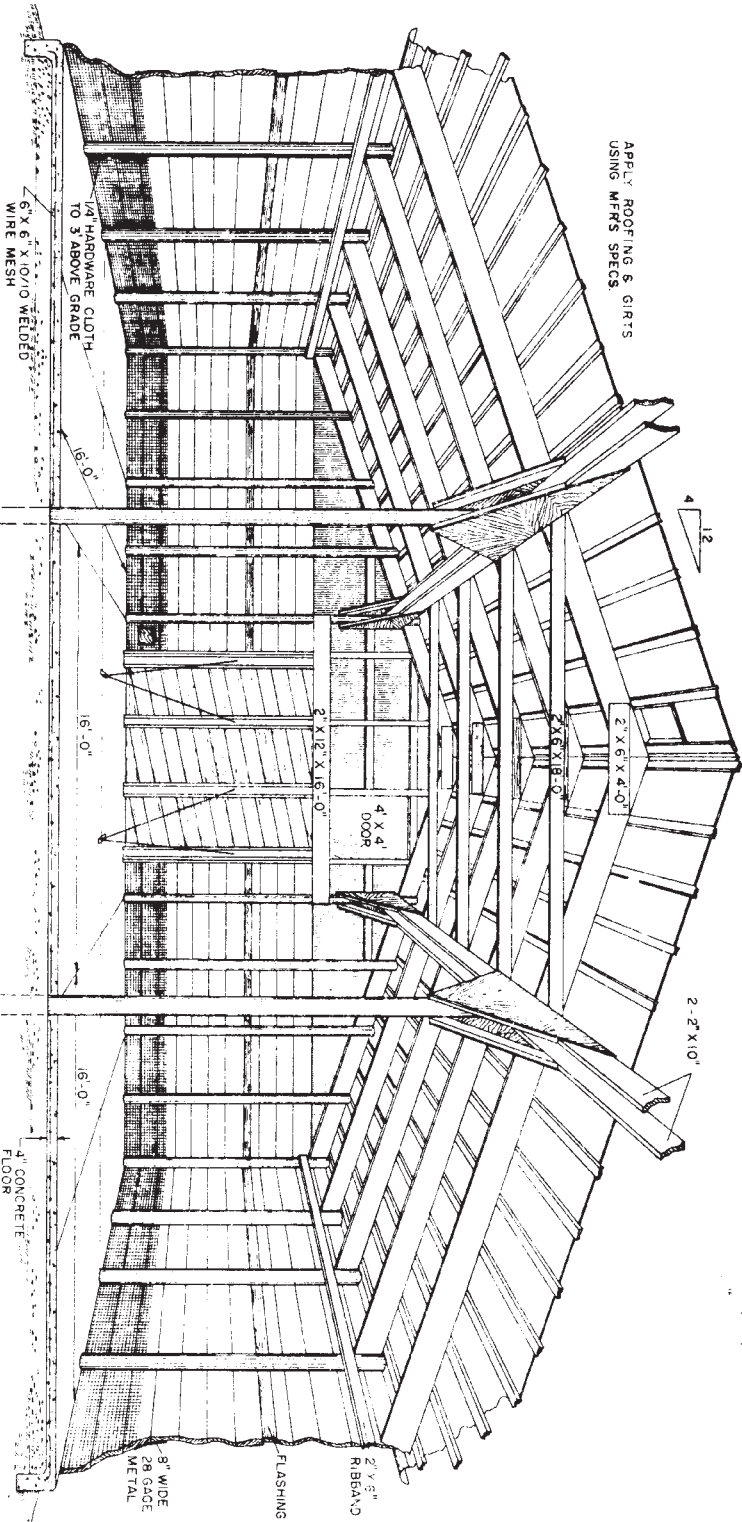
This plan provides conceptual information only. **Neither midwest plan service nor any of the cooperating land-grant universities, or their respective agents or employees, have made, and do not hereby make, any representation, warranty or covenant with respect to the specifications in this plan.** Additional professional services will be required to tailor this plan to your situation, including but not limited to: assurance of compliance with codes and regulations; review of specifications for materials and equipment; supervision of site selection, bid letting and construction; and provision for utilities, waste management, roads or other access.

MIDWEST PLAN SERVICE
Cooperative Extension Work in Agriculture and Home Economics and Agricultural Experiment Stations of North Central Region - USDA Cooperating
48' Pole Grain Storage
Title Page
MIDWEST PLAN NO. 73220

Grain Capacity		16' Increment		
Wall Height	Level Full	With Max. Surcharge	Level Full	With Max. Surcharge
10'	18,500 Bu.	25,000 Bu.	6,200 Bu.	8,300 Bu.
12'	22,100 Bu.	28,500 Bu.	7,300 Bu.	9,500 Bu.
Aeration Fan Size, CFM				
10'	1300	1700	425	550
12'	1500	2000	500	650



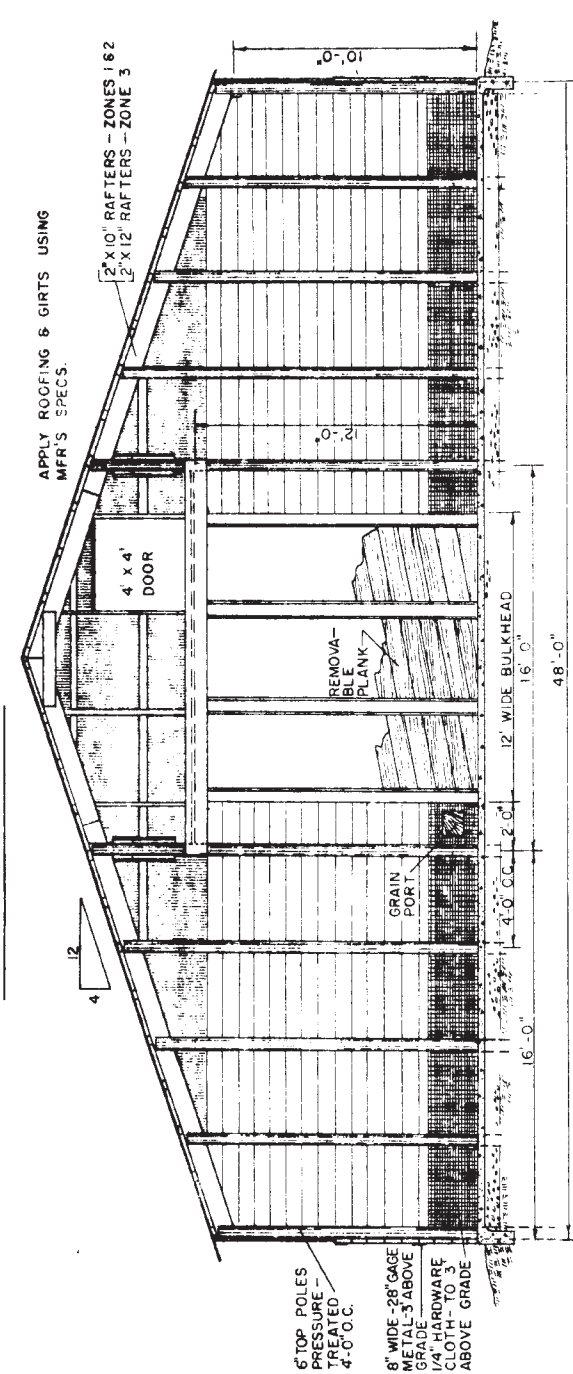
APPLY ROOFING & GIRTS USING MFRS SPECS



INTERIOR PERSPECTIVE

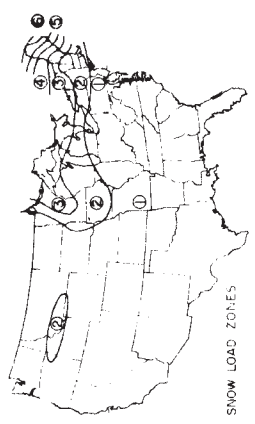
MIDWEST PLAN SERVICE
 Cooperative Extension Work in
 Agriculture and Home Economics
 of North Central Region - USDA Cooperating

48' POLE
 GRAIN STORAGE
 Sheet 1 of 4 Sheets
 MIDWEST PLAN NO. 73220
 Copyright © 1964 Midwest Plan Service

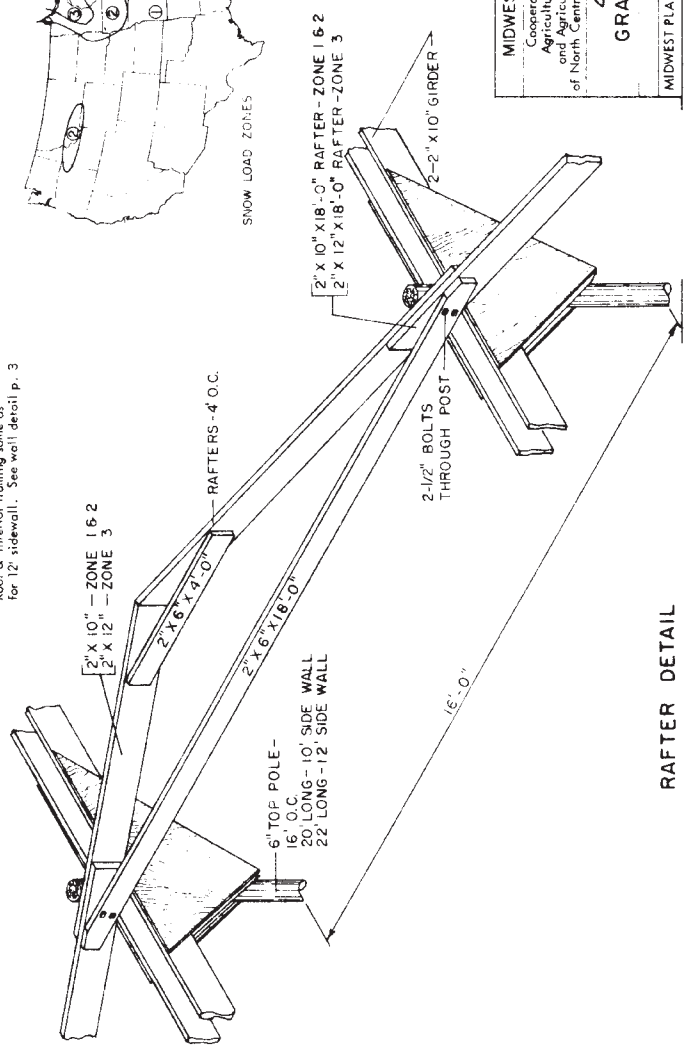


INSIDE END ELEVATION

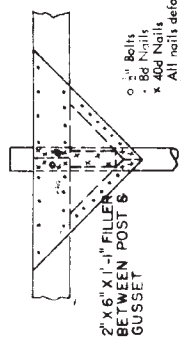
10' SIDE WALL
Roof & interior framing same as for 12' sidewall. See wall detail p. 3



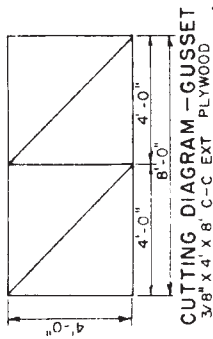
SNOW LOAD ZONES



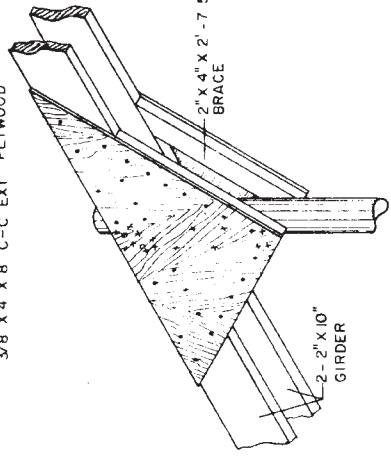
RAFTER DETAIL



NAILING DIAGRAM



CUTTING DIAGRAM - GUSSET
3/8" X 4" X 8" C-C EXT PLYWOOD

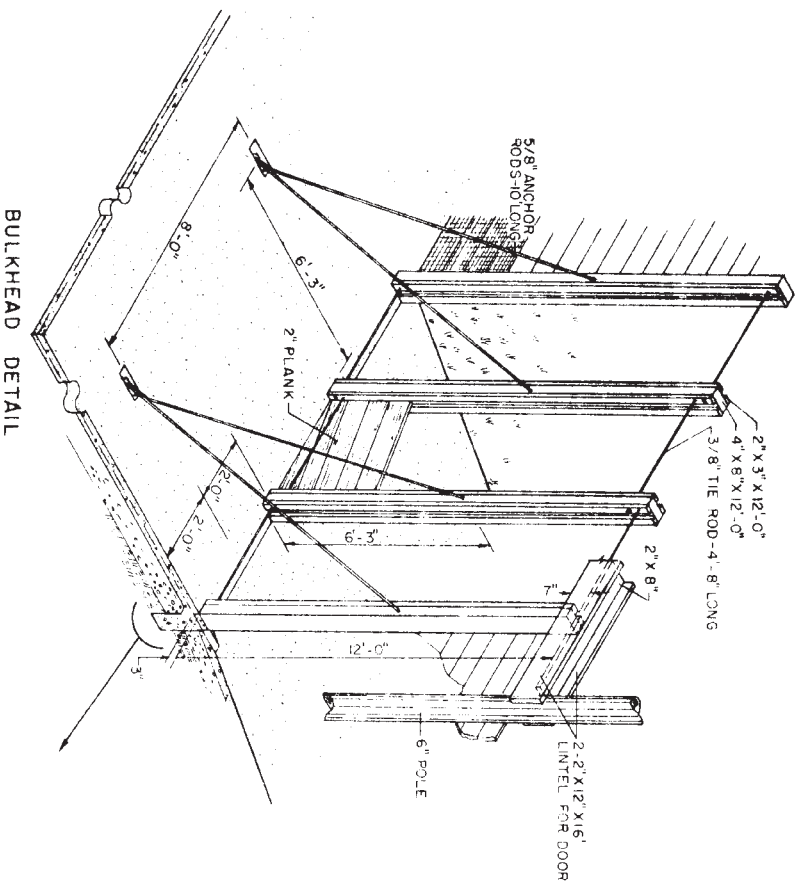


POLE DETAIL

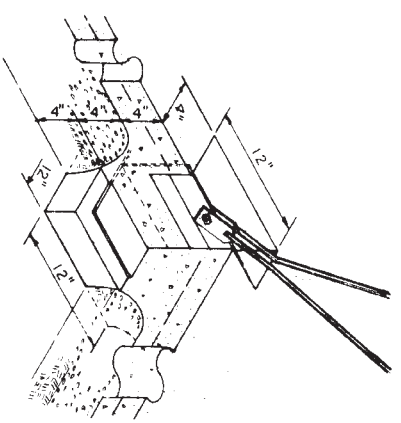
MIDWEST PLAN SERVICE
Cooperative Extension Work in
Agriculture and Home Economics
and Agricultural Experiment Stations
of North Central Region - USDA Cooperating

**48' POLE
GRAIN STORAGE**

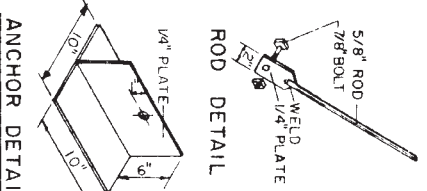
Sheet 2 of 4 Sheets
MIDWEST PLAN NO. 73220
Copyright © 1964 Midwest Plan Service



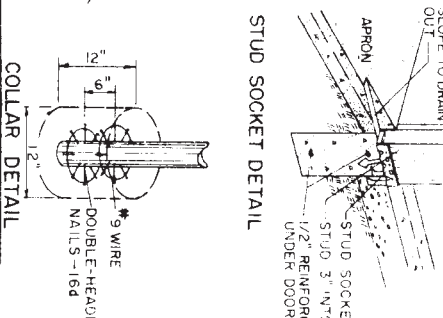
BULKHEAD DETAIL



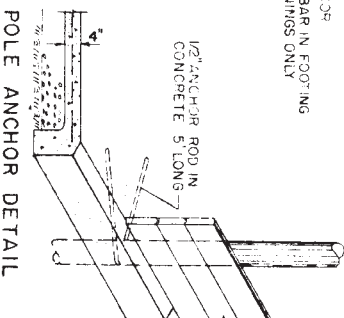
BULKHEAD ANCHOR DETAIL



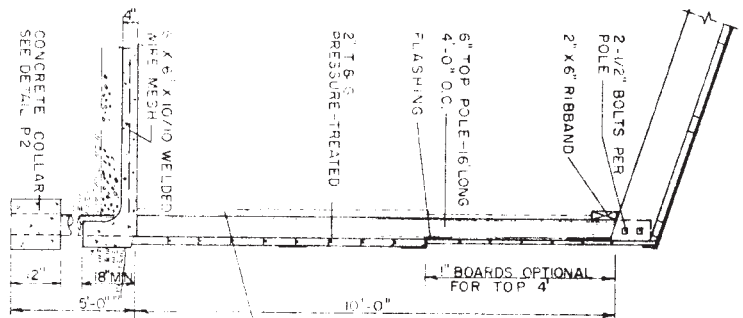
ANCHOR DETAIL



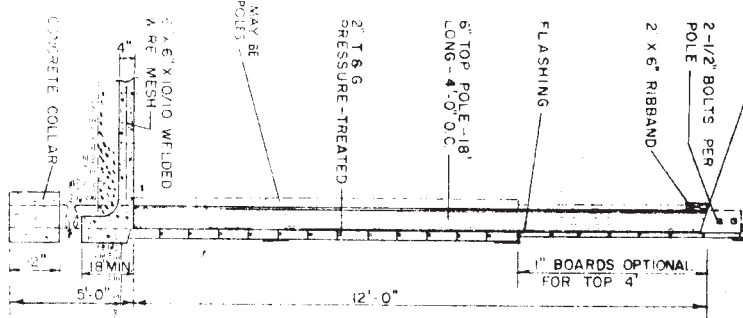
STUD SOCKET DETAIL



POLE ANCHOR DETAIL



10' WALL DETAIL



12' WALL DETAIL

NAILING SIDING
 USE DEFORMED HARDENED STEEL NAILS
 Nails required in each pole for each foot of wall height:
 POLE R: 4" x 10d Nails in 1" Lumber;
 10 WALLS: 8-20d Nails in 2" Lumber;
 12 WALLS: 9-20d Nails in 2" Lumber;
 Siding to include poles use 2-28d 16d nails each 1" board 2-1-16d nails in each 2" board.
MATERIAL: 1" T & G upper 4"; 1-1/2" T & G Material with tongues up. Use pressure treated Lumber unless building will be clad with metal, gal steel, siding.

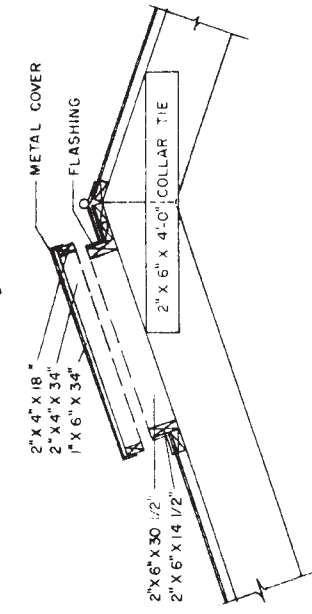
MIDWEST PLAN SERVICE
 Cooperative Extension Work in Agriculture and Applied Home Economics of North Central Region - USDA Cooperating

48' POLE GRAIN STORAGE

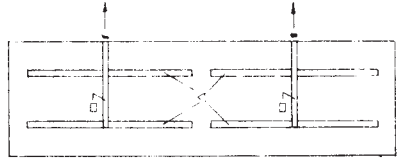
Sheet 3 of 4 Sheets
 MIDWEST PLAN NO. 73220
 Copyright © 1964 Midwest Plan Service

BILL OF MATERIALS FOR 73266

ITEM	DESCRIPTION	10' SIDEWALL		12' SIDEWALL		16' INCREMENT
		NO.	FBM	NO.	FBM	
FOUNDATION & FLOOR	Wire Mesh	2304	780	2304	780	780
	Reinforcement	64		64		
	Concrete	1 1/2	3 yd.	1 1/2	3 yd.	3 yd.
	Pole Collar	34		34		9
SIDEWALLS & ENDWALLS	6" Top x 14" Long	26	6			
	6" Top x 18" Long	8				
	6" Top x 20" Long	12	2			
	6" Top x 18" Long			26	6	
	6" Top x 20" Long			8		
	6" Top x 22" Long			12	2	
Siding	2" T & G - sq. ft.	960	1920	1300	2600	512 FBM
	1" T & G - sq. ft.	540	540	640	640	128 FBM
	20 gage - 8" strip - ln. ft.	170	32	170	32	32
	3" x 3" ln. ft.	170	32	170	32	32
	2" x 6" x 16'-0"	6	96	6	96	32 FBM
	See Sheet 3					
ROOF & CEILING	Consult manufacturers specs	2600	420	2600	420	
	Sq. ft.	96	32	96	32	
	Ln. ft.	48	16	48	16	
	Ridge Roll					



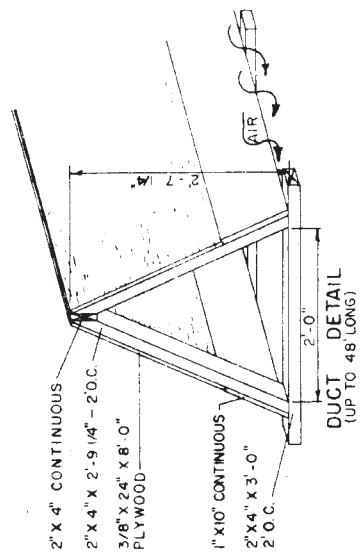
HATCH DETAIL



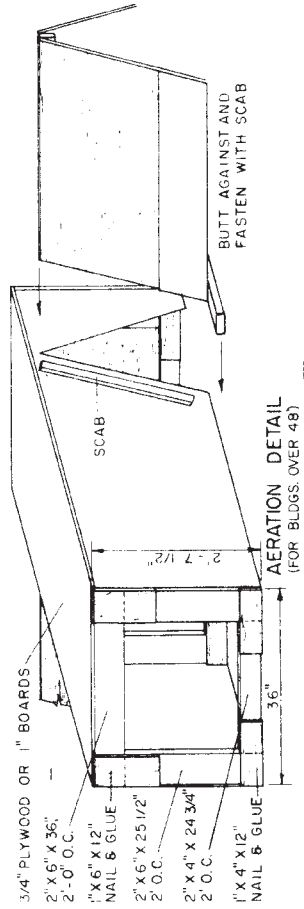
DUCT LAYOUTS

AERATION DETAILS

See table of fan requirements Sheet 1.
Open gable and joists during aeration.



AERATION DETAIL (FOR BLDGS. OVER 48')



AERATION DETAIL (FOR BLDGS. OVER 48')

MIDWEST PLAN SERVICE
Cooperative Extension Work in
Agriculture and Home Economics
and Agricultural Experiment Stations
of North Central Region - USDA Cooperating

48' POLE
GRAIN STORAGE

Sheet 4 of 4 Sheets
MIDWEST PLAN NO. 73220
Copyright © 1964 Midwest Plan Service